

# LED SHOEBOX LIGHT

## INSTALLATION INSTRUCTIONS

### Cautions:

- 1 Can not use the electric generator to test the LED lamp.
- 2 Please abide by related country, regional and local law and regulations when install this fixture.
- 3 To avoid electrical shock and damage, please do not install the lights in raining days.

### Notices:

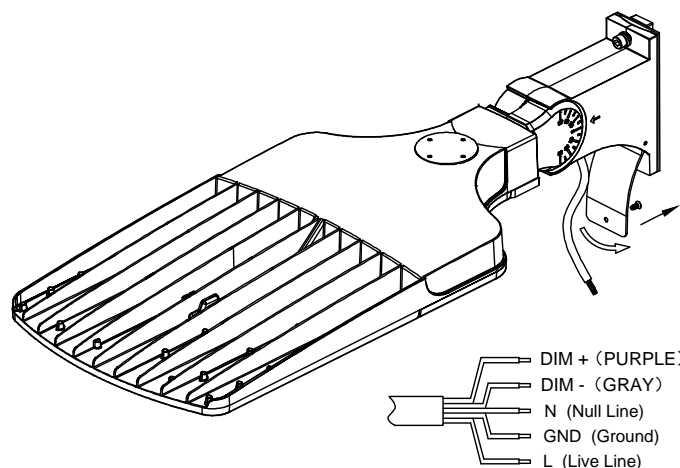
- 1 To prevent from electric shock or fire risk, the installation must be conducted by operator who have professional electrical knowledge.
- 2 Please wear gloves to avoid injury before installing lamps.
- 3 During or after installation, if there are situations such as smoke, fire in the wires or lamps, please turn off the power immediately and notify relevant personnel of an overhaul.
4. This light can be used for outdoor installation.

### Instructions:

This product has 1-10VDC dimming .

### Wiring Diagram:

As for the wire color of DIM + and DIM - , pls check the lamp label !



**The Installation must be carried out by a qualified electrician.**

# LED SHOEBOX LIGHT

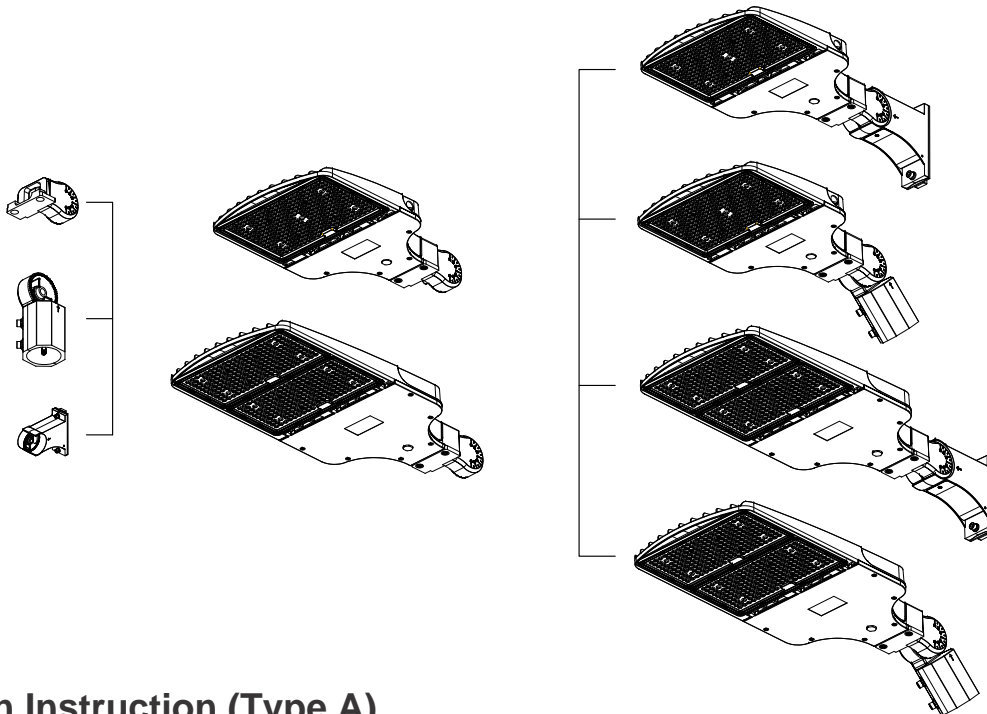
## INSTALLATION INSTRUCTIONS

### Parameters

Part No.	Input Voltage	Frequency	Power	Rated Current
KLSBAL100 KLSBAL150W	AC100-277V	50/60Hz	100W150W	1.65A
KLSBAL200W			200W	2.2A
KLSBAL320W			300W	3.3A

### Optional Brackets and Installation Instructions

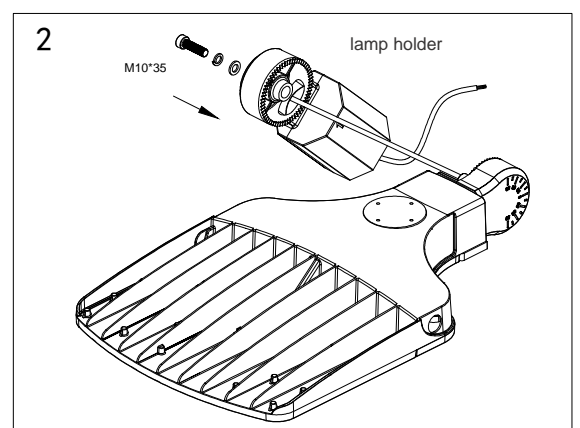
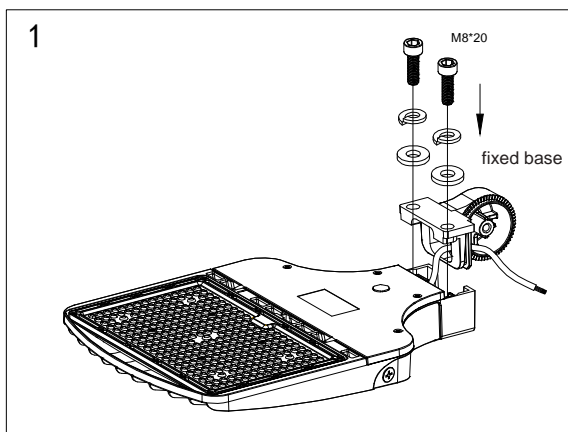
1 There are 2 optional brackets for this fixture. The following is shoebox fixtures with different brackets.



#### Installation Instruction (Type A)

1.Refer to picture 1 using the machine screws (M8\*20) secure the fixed base to the lamp.

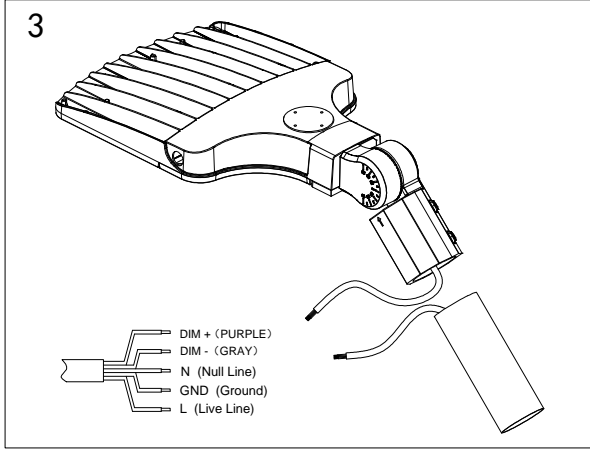
2.Refer to picture 2 using the machine screws (M10\*35) secure the lamp holder to the lamp.



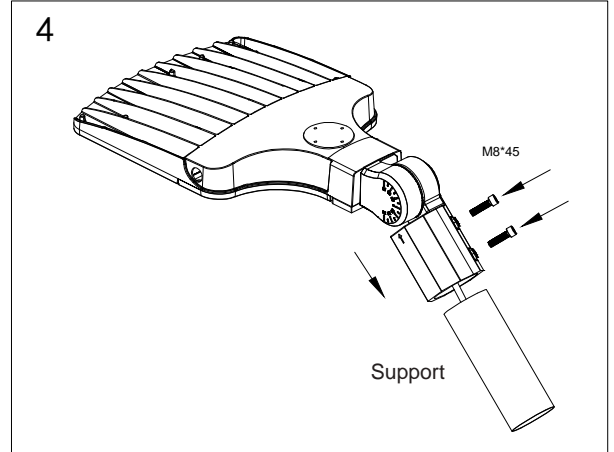
# LED SHOEBOX LIGHT

## INSTALLATION INSTRUCTIONS

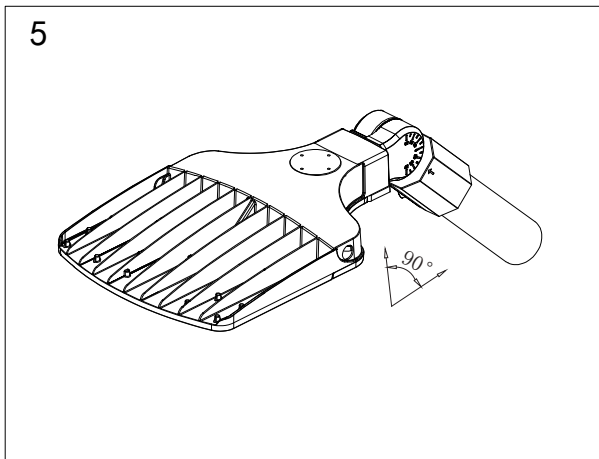
3. Refer to picture 3 connect the wires correctly and put the wires into the lamp pole.



4. Refer to picture 4 using the machine screws (M8\*45) secure the lamp holder to the support.

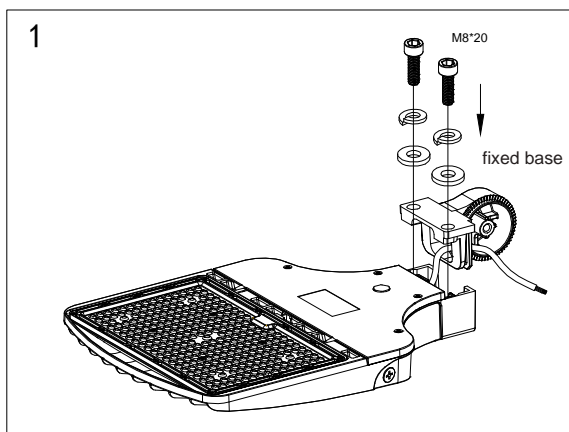


5. Refer to picture 5 locking bolt can be only compatible with a lamp pole that the outer diameter is  $\phi 60$ , lamp adjustable angle is 0-90°.

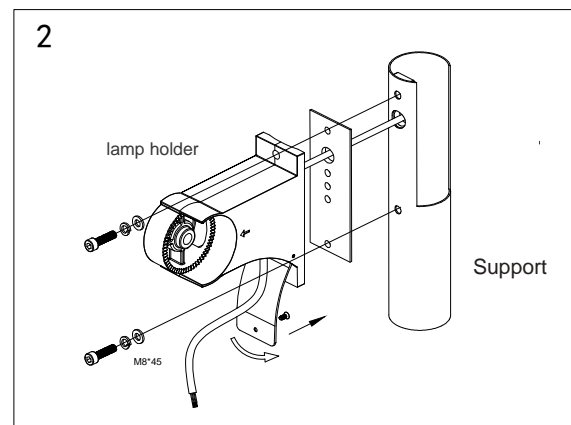


### Installation Instruction (Type B)

1. Refer to picture 1 using the machine screws (M8\*20) secure the fixed base to the lamp.



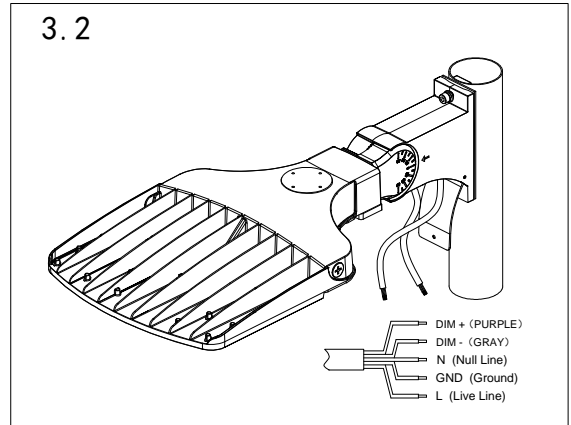
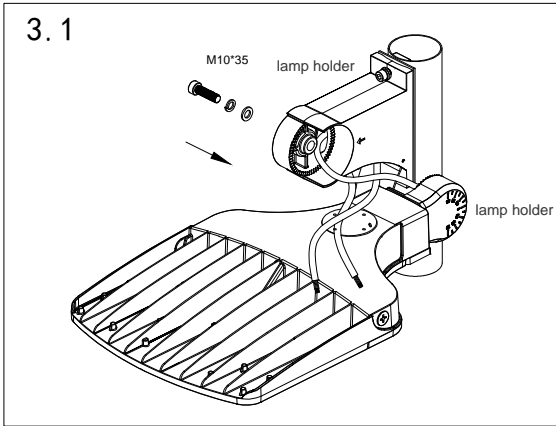
2. Refer to picture 2 using the machine screws (M8\*45) secure the lamp holder to the round support.



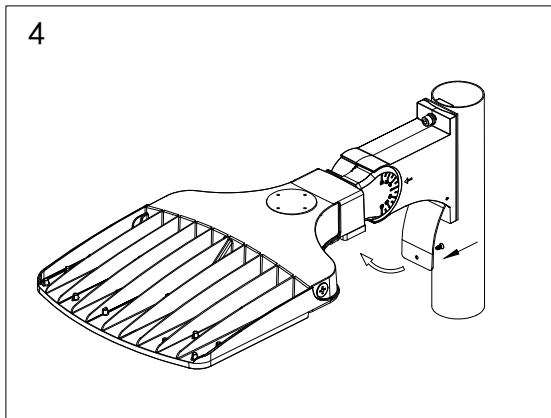
# LED SHOEBOX LIGHT

## INSTALLATION INSTRUCTIONS

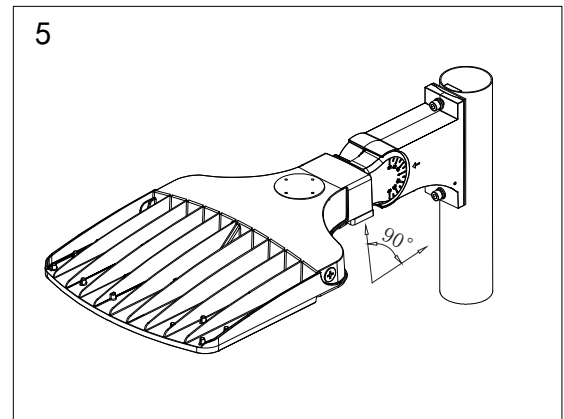
3. Refer to picture 3.1 and 3.2 using the machine screws (M10\*35) secure the lamp holder to the lamp holder, connect the wires correctly and put the wires into the lamp pole.



4. Refer to picture 4 using the machine screws secure the lamp holder.

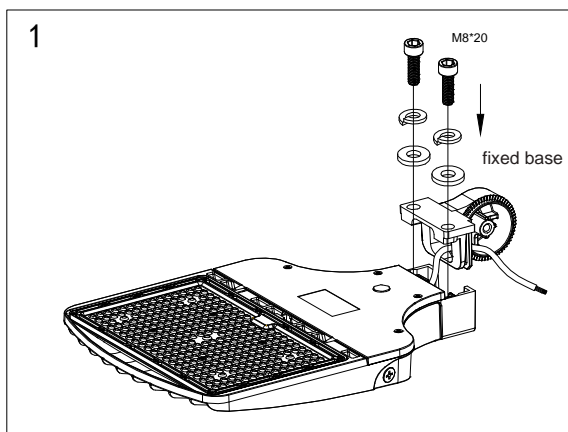


5. Refer to picture 5 locking bolt can be only compatible with a lamp pole that the outer diameter is  $\phi 60$ , lamp adjustable angle is 0-90°.

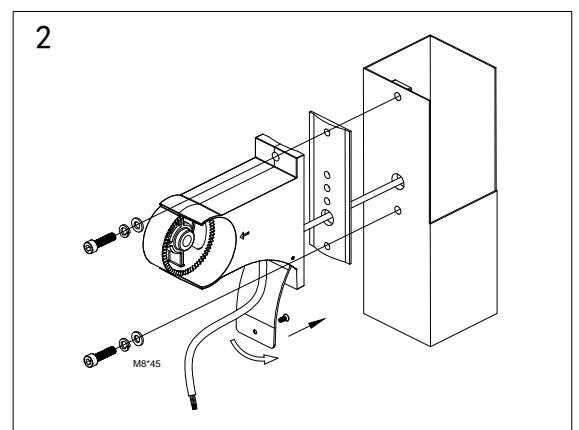


## Installation Instruction (Type B)

1. Refer to picture 1 using the machine screws (M8\*20) secure the fixed base to the lamp.



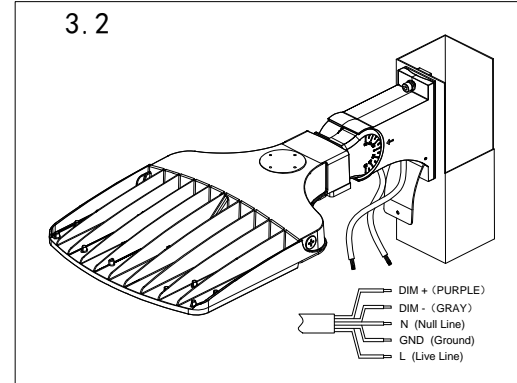
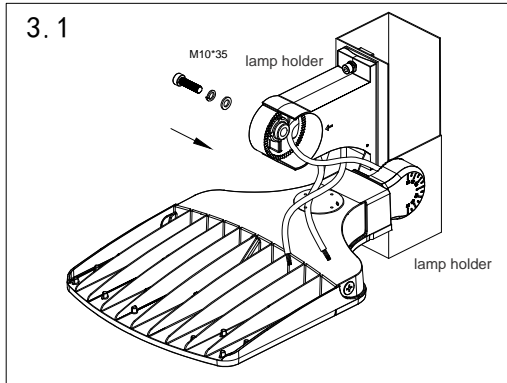
2. Refer to picture 2 using the machine screws (M8\*45) secure the lamp holder to the square support.



# LED SHOEBOX LIGHT

## INSTALLATION INSTRUCTIONS

3. Refer to picture 3.1 and 3.2 using the machine screws (M10\*35) secure the lamp holder to the lamp holder, connect the wires correctly and put the wires into the lamp pole.



4. Refer to picture 4 using the machine screws secure the lamp holder.

5. Refer to picture 5 locking bolt can be only compatible with a lamp pole that the outer diameter is  $\phi 60$ , lamp adjustable angle is 0-90°.

